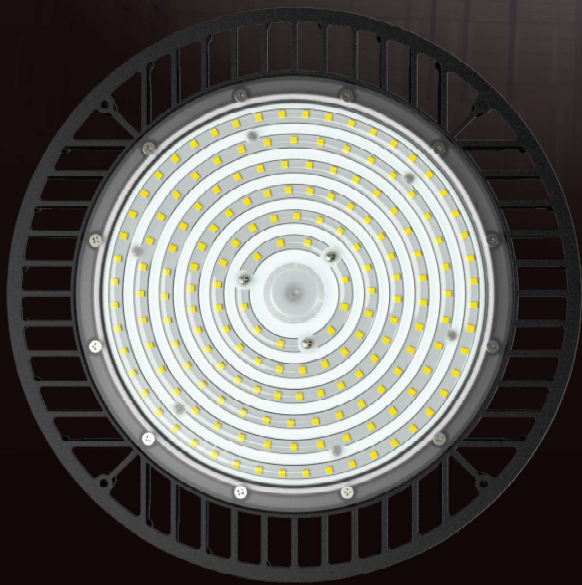


LEIZUR

UFO LED HIGH BAY LIGHT



MODEL NO.:

50W/100W/150W/200W/240W

HBL-S11-121



CE CB



RoHS

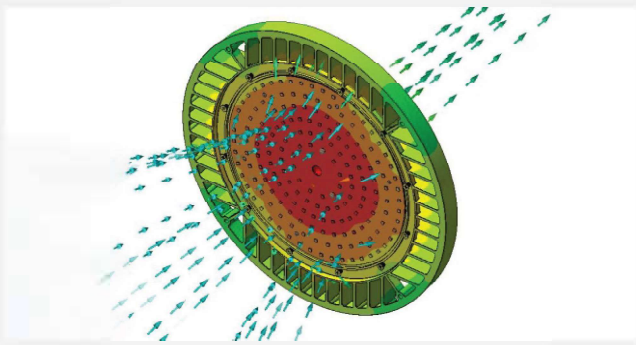
www.leizur.ltd

OVERVIEW

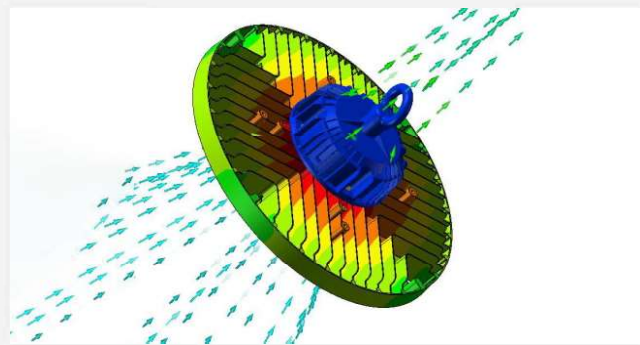


THERMAL MANAGEMENT

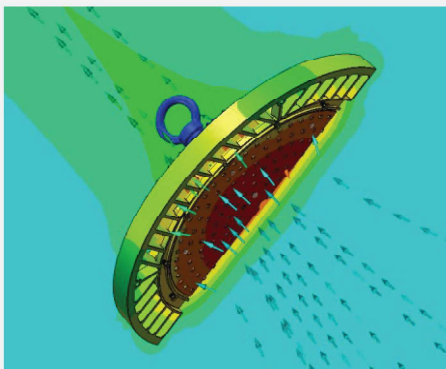
Structure is optimized by advanced FEA technology. Achieving longer lifespan at best cost-efficiency.



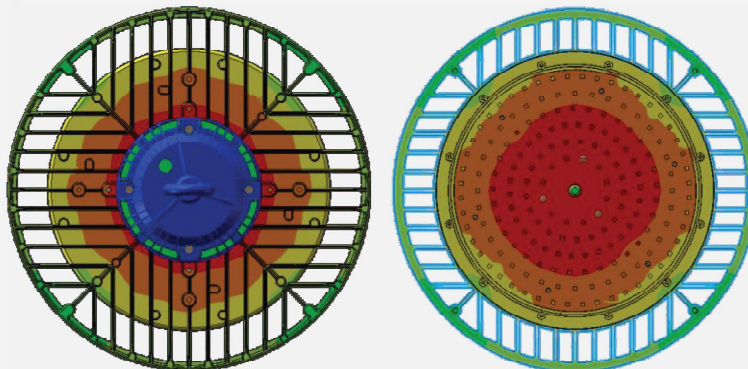
Thermal Air Convection



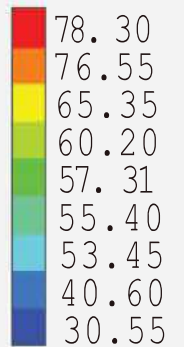
Thermal Air Convection



Thermal Effects to Air

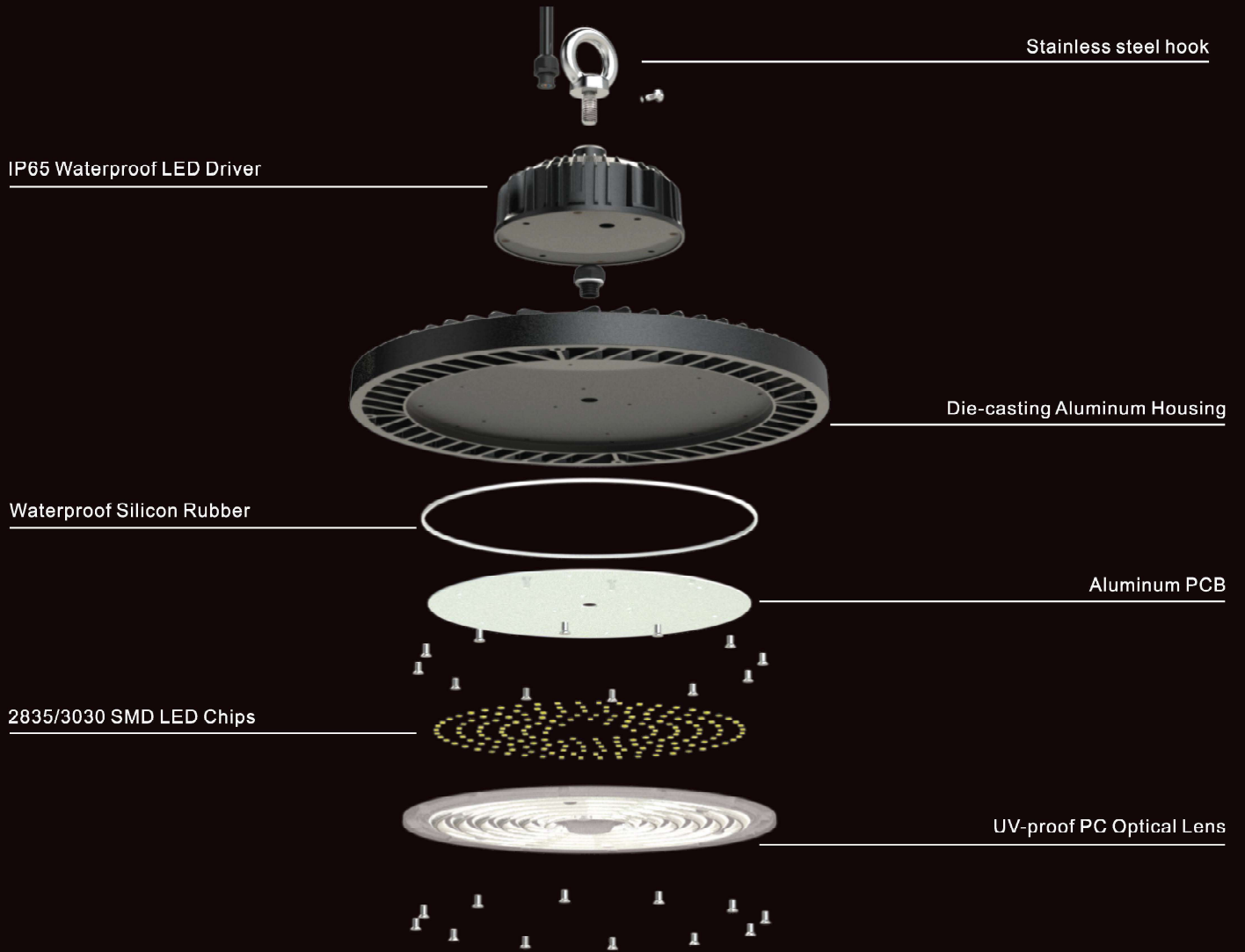


Thermal Conductivity



Unit: °C

EXPLODED



OPTIONAL REFLECTOR



APPLICATIONS

Widely Applicable to IP65 waterproof design, suitable for indoor and outdoor places such as warehouses, sports centers, logistics centers, supermarkets, railway stations, etc. Optional with U type bracket or suspension hook.



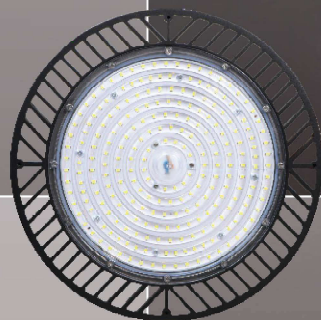
DOB Version



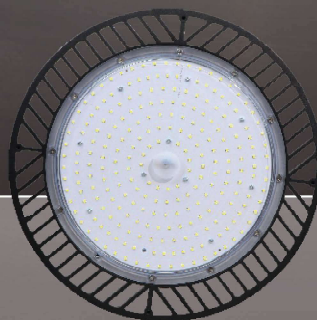
Driver Version



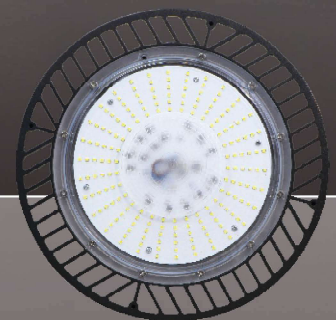
121A
Point Lens



121B
Annular Lens



121C
Transparent Lens



121D
DOB Linear lens

OPTICS

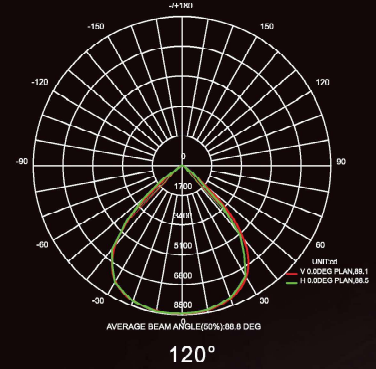
Tech. Support: Tell us the room length, width, height and the usage. We have engineer team to respond the DIALUX simulations for lights quantity calculation and effects.

.ies files are available upon request.

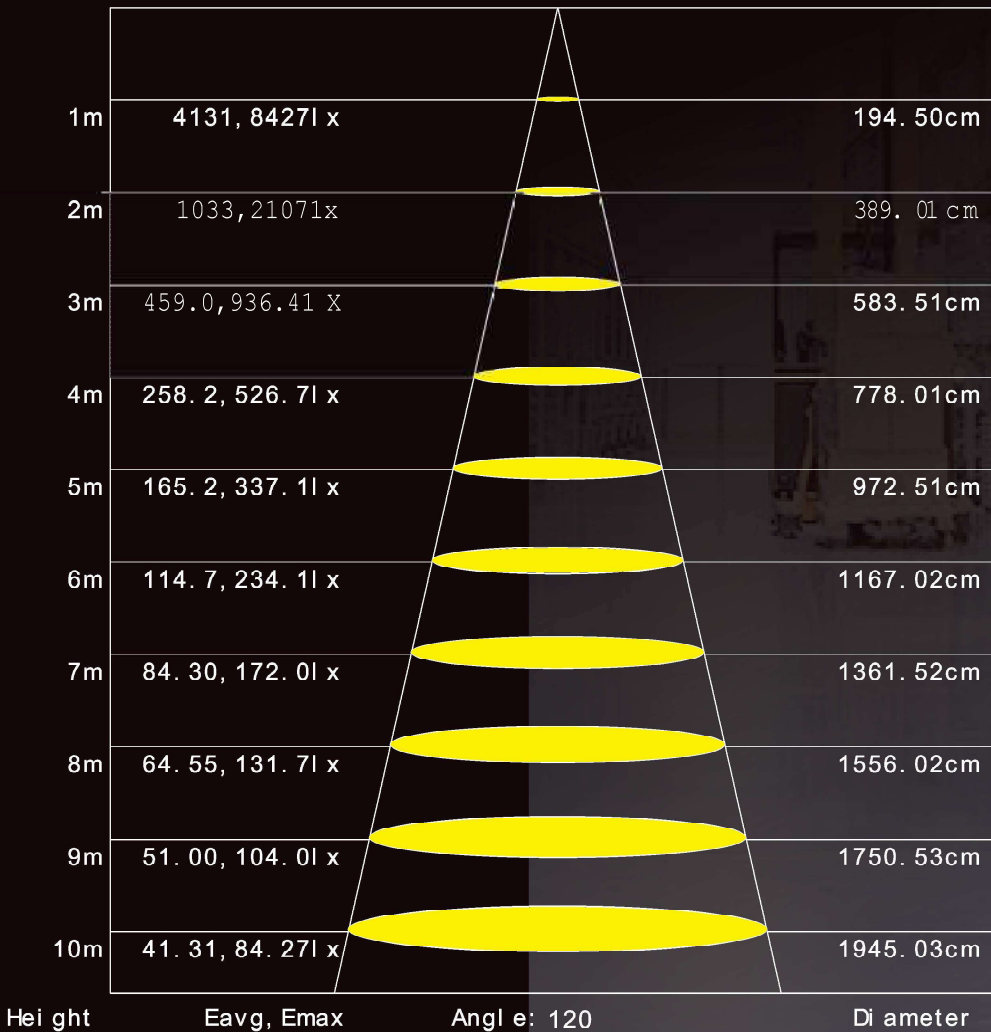
150W LX-distance diagram



LIGHTING DISTRIBUTIONS



Fl ux out : 12532 l m

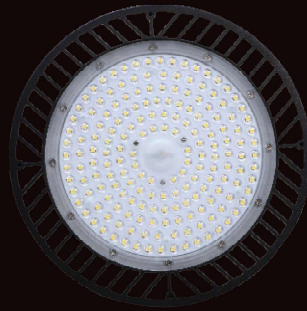


Note: The Curves indicate the illuminated area and the average illumination when the luminaire is at different distance.

SPECIFICATIONS



50-100W



150W



200-240W

PARAMETERS

Point Lens

| Model | HBL-S11-121A | | | | |
|---------------|---|--------|--------|--------|--------|
| Lamp Power | 50W | 100W | 150W | 200W | 240W |
| LED Qty | 120pcs | 120pcs | 180pcs | 240pcs | 240pcs |
| Pole Diameter | Φ250mm | Φ250mm | Φ300mm | Φ350mm | Φ350mm |
| Material | Die-cast Aluminium+PC Lens, Shine angle 90 or° 120° | | | | |
| Lamp Flux | 100-120LM/1W; 130-140LM/1W | | | | |
| LED Color | 3000-3500K; 4000-4500K; 5000-5500K; 6000-6500K | | | | |
| IP Grade | IP65 | | | | |
| CRI | Ra>70 | | | | |
| Life Time | 50000H | | | | |
| SPD | 4KV-6KV | | | | |
| Input Voltage | AC85-305V | | | | |
| Body Color | Black or Grey | | | | |
| Certificate | CE-LVD-EMC.RoHs | | | | |

Annular Lens

| Model | HBL-S11-121B | | | | |
|---------------|--------------|--------|--------|--------|--------|
| Lamp Power | 50W | 100W | 150W | 200W | 240W |
| LED Qty | 160pcs | 160pcs | 240pcs | 320pcs | 320pcs |
| Pole Diameter | Φ250mm | Φ250mm | Φ300mm | Φ350mm | Φ350mm |

Transparent Lens

| Model | HBL-S11-121C | | | | |
|---------------|--------------|--------|--------|--------|--------|
| Lamp Power | 50W | 100W | 150W | 200W | 240W |
| LED Qty | 160pcs | 160pcs | 240pcs | 320pcs | 320pcs |
| Pole Diameter | Φ250mm | Φ250mm | Φ300mm | Φ350mm | Φ350mm |

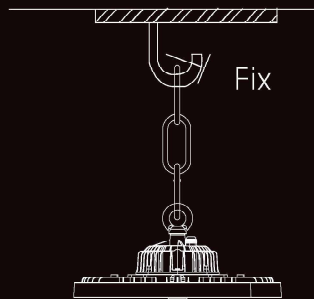
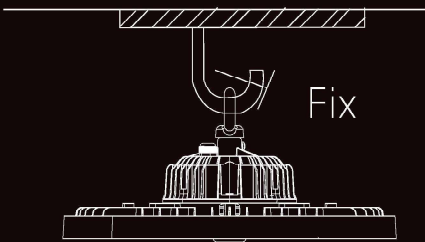
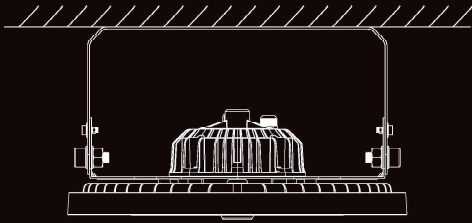
Linear lens

| Model | HBL-S11-121D | | |
|---------------|--------------------------|--------|--------|
| Lamp Power | 100W | 150W | 200W |
| LED Qty | 120pcs | 180pcs | 240pcs |
| Pole Diameter | Φ250mm | Φ300mm | Φ350mm |
| Lamp Flux | 100-120LM/1W | | |
| SPD | 4KV | | |
| Input Voltage | AC165-265V or AC100-130V | | |

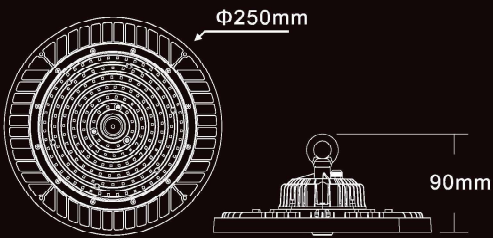
PACKING DETAILS

| Lamp Power | Packing Size(CM) | PCS/CTN | CBM | 20' GP/PCS | 40' GP/PCS | 40HQ/PCS |
|------------|------------------|---------|-------|------------|------------|----------|
| 50W/100W | 53.5*26.5*55 | 8 | 0.078 | 2800 | 5840 | 6880 |
| 150W | 63.5*39*32.5 | 6 | 0.081 | 2010 | 4260 | 4992 |
| 200W/240W | 56*37*38 | 4 | 0.079 | 1368 | 2900 | 3400 |

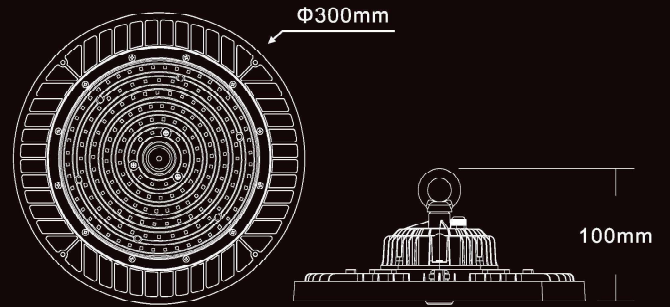
INSTALLATION METHODS



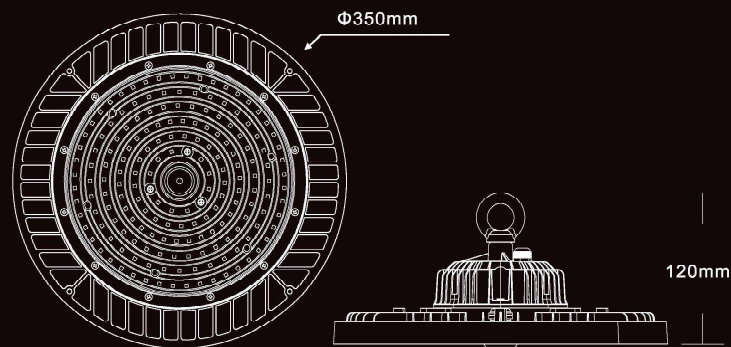
DIAGRAMS



50/100W



150W



200/240W



Features

1. AC85-305V / AC165-265V
2. Famous brand 2835/3030 1W SMD light source.
3. Die-casting aluminum body.
Anti-corrosion powder painting.
4. IP65 Waterproof for outdoor use.
5. 3 or 5 years warranty optional.
6. Export certificates are available.

PACKAGING



CAUTIONS:

1. Installation must be done by professional electricians .
2. Do NOT take apart the product. It may be dangerous.
3. Do NOT stare at the light with naked eyes. It is harmful to eyes.
4. For outdoor lighting, waterproof measurements must be done for the cable terminals.

WARRANTY:

1. All UFO LED high bay lights are warranted by the manufacturer to be free of defects in material and workmanship for 3 or 5 years(as per sale contracts).
2. Warranty becomes void if the products is modified, improperly installed or used, damaged by accident or neglect, or if any parts are improperly installed or replaced by the user.
3. During the warranty time, if the products fails at normal environment and applications, we should decide by our own to repair or replace without any charge.