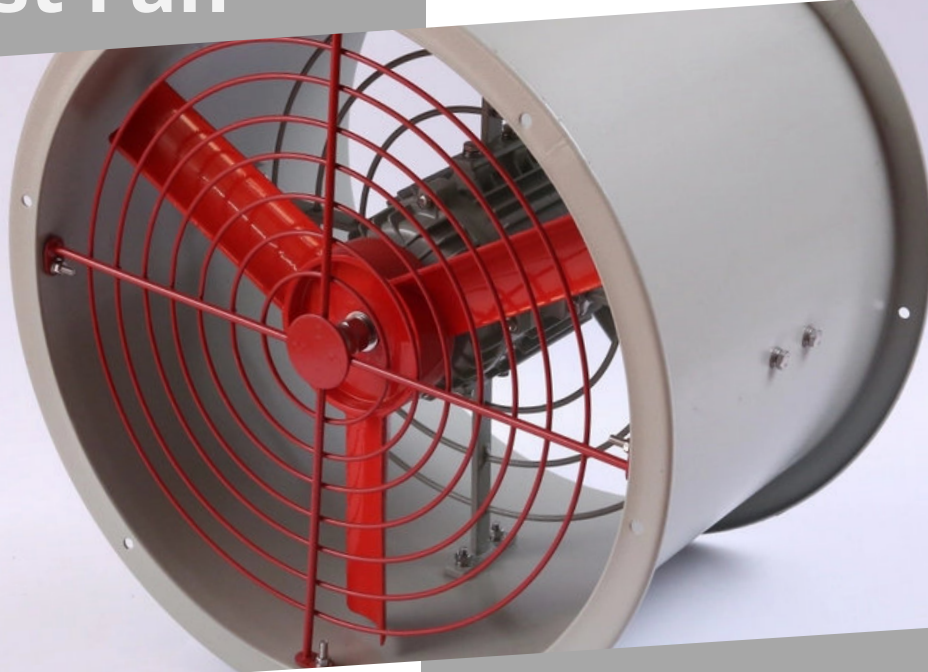


BAF

Explosion proof Exhaust Fan

LEIZUR



Applications:

Widely used for ventilation in office, oil, military industry, chemical industry, medicine, metallurgy, etc. Our Pneumatic Portable propeller ventilation fan has many strong points such as excellent function, special style, light weight, strong wind-power and reasonable structure. It's special manufactured for cabin, cable maintain and in other violent working situation for ventilation.

Typical applications include:

Oil and gas industries

Chemical, petrochemical

Pharmaceutical industries

Pulp and Paper

Waste and sewage treatment



Features:

Widely used for ventilation in panel breathing, chemical and metallurgy industries, our EX-certified explosion proof fans are the safe alternative for moving volatile substances and gases.

- 1- EX Certified explosion proof fan is designed with an explosion proof switch.
- 2- Axial blower features 550W explosion proof motor with high speed: 3450Rpm fit long time ventilation work, low noise 69dB(A). Reliable and built to last.
- 3- Tough steel boxed frame to be portable.
- 4- High output fans designed with strong suction.
- 5- For a long term stable standing, 4 rubber feet at the bottom are offered, besides, another 2 rubber feet are free for easy replacement.



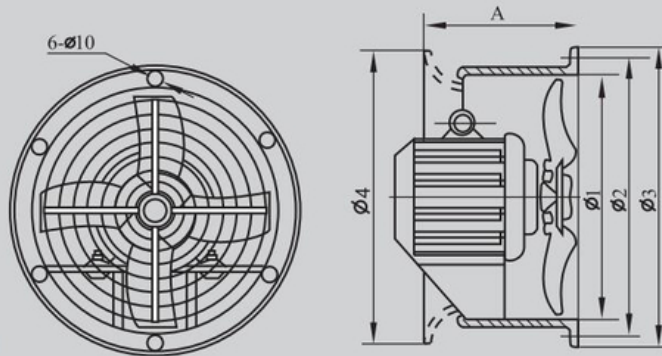
BAF

Explosion proof Portable Fan

LEIZUR



Drawings & Dimensions

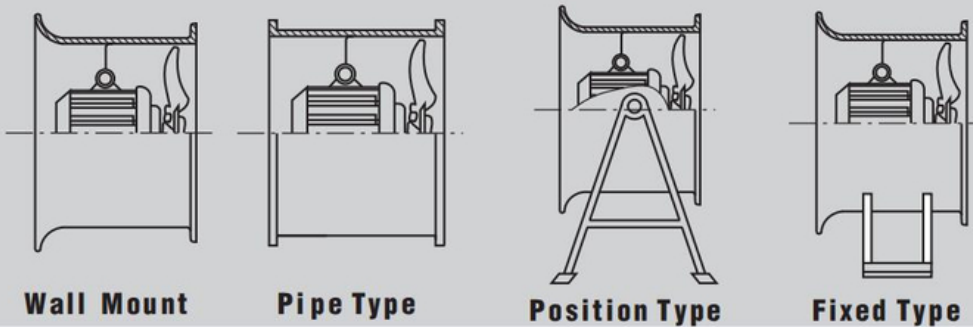


BAF Type

| Type | A | Ø1 | Ø2 | Ø3 | Ø4 |
|---------|-----|-----|-----|-----|-----|
| BAF-250 | 280 | 260 | 285 | 300 | 315 |
| BAF-300 | 280 | 305 | 335 | 350 | 345 |
| BAF-400 | 280 | 405 | 435 | 450 | 450 |
| BAF-500 | 300 | 505 | 535 | 555 | 555 |
| BAF-600 | 300 | 610 | 635 | 650 | 650 |

Mounting Types

- -Wall Mount
- -Pipe Type
- -Position Type
- -Fixed Type



Wall Mount

Pipe Type

Position Type

Fixed Type

Specifications

| Type | BAF-300 | BAF-400 | BAF-500 | BAF-600 |
|---------------------------------|----------------------|---------|---------|---------|
| EX-Rating | Ex d IIB T4 Gb | | | |
| Use Area | Zone 1&2, Zone 21&22 | | | |
| Degree of protection | IP 54 | | | |
| Voltage Rating | 230V / 380V AC | | | |
| Size of blade(mm) | 300 | 400 | 500 | 600 |
| Power consumption(W) | 120 | 180 | 250 | 370 |
| Air volume(m ³ /min) | 2200 | 2400 | 4900 | 9500 |