

# BFC

## Explosion proof Exhaust Fan

# LEIZUR



### Applications:

Widely used for ventilation in office, oil, military industry, chemical industry, medicine, metallurgies etc. Our Pneumatic Portable propeller ventilation fan has many strong points such as excellent function, special style, light weight, strong wind-power and reasonable structure. It's special manufactured for cabin, cable maintain and in other critical working situation for ventilation.

Typical applications include:

Oil and gas industries

Chemical, petrochemical

Pharmaceutical industries

Pulp and Paper

Waste and sewage treatment



### Features:

Widely used for ventilation in panel breathing, chemical and metallurgy industries, our EX-certified explosion proof fans are the safe alternative for moving volatile substances and gases.

- 1- EX Certified explosion proof fan is designed with an explosion proof switch.
- 2- Axial blower features high power explosion proof motor with high speed. Fit for long time ventilation work, low noise. Reliable and built to last.
- 3- Tough steel boxed frame to be portable.
- 4- High output fans designed with strong suction.
  - o Zone 1&2, Zone 21&22
  - o With explosion-proof motor
  - o Strong anti-corrosion ability
  - o Multiple installation methods
  - o Different impeller speed or motor power, air flow for choice

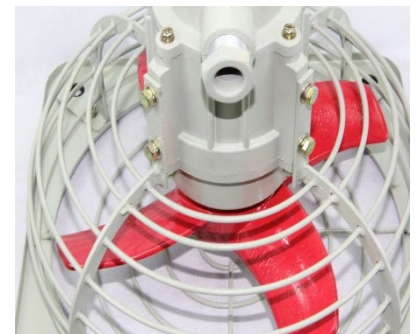
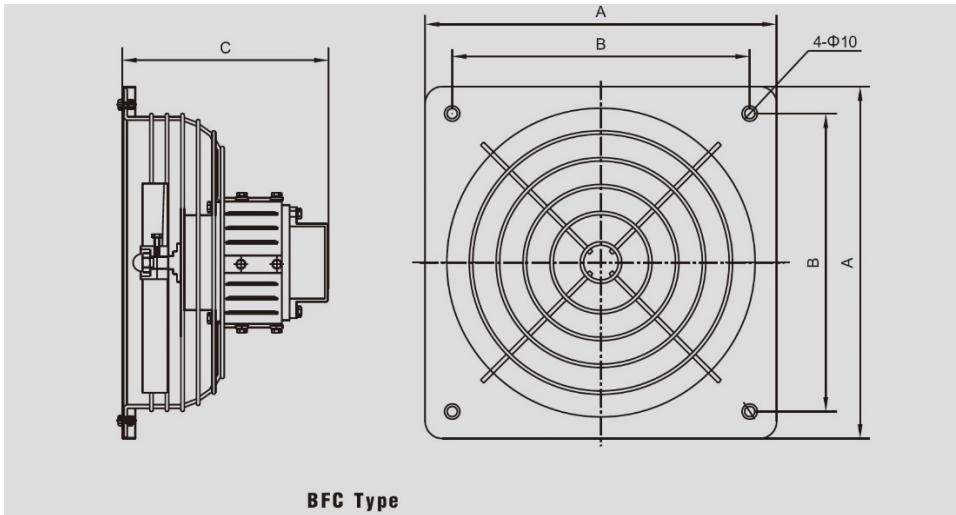


# BFC

## Explosion proof Portable Fan

# LEIZUR

### Drawings & Dimensions



| Type                   | BAF-300 | BAF-400 | BAF-500 | BAF-600 |
|------------------------|---------|---------|---------|---------|
| Outer Dimension mm (A) | 380     | 480     | 590     | 690     |
| Hole Spacing mm (B)    | 315     | 378     | 470     | 528     |
| Total Length mm (c)    | 140     | 140     | 140     | 140     |

### Specifications

| Type                            | BAF-300              | BAF-400 | BAF-500 | BAF-600 |
|---------------------------------|----------------------|---------|---------|---------|
| EX-Rating                       | Ex d IIB T4 Gb       |         |         |         |
| Use Area                        | Zone 1&2, Zone 21&22 |         |         |         |
| Degree of protection            | IP 54                |         |         |         |
| Voltage Rating                  | 230V / 380V AC       |         |         |         |
| Size of blade(mm)               | 300                  | 400     | 500     | 600     |
| Power consumption(W)            | 120                  | 180     | 250     | 370     |
| Air volume(m <sup>3</sup> /min) | 2200                 | 2400    | 4900    | 9500    |