

# ABI

## Explosion proof Emergency Light

# LEIZUR



### Applications:

Widely used for emergency lighting:

- Oil and gas industries
- Chemical, petrochemical
- Pharmaceutical industries
- Marine platforms, chemical tankers
- LNG ships and dangerous cargo wharfs
- Power Generation

### Standard Materials:

- Housing: Die-casting aluminum
- Exterior: Stainless steel
- Globe: Tempered glass
- Gasket: Silicon rubber

### Features:

- Die-cast aluminum body with baked epoxy powder coat finish for durability and corrosion resistance.
- Toughened glass transparent cover with high light transmittance.
- Ultra-bright LED light source, service life is up to 50,000 hours.
- Multi-mounting arrangements to suit any lighting layout.
- Steel pipe, explosion-proof flexible tube, cable, wiring.
- Can be equipped with test button and indicator according to user's requirement.

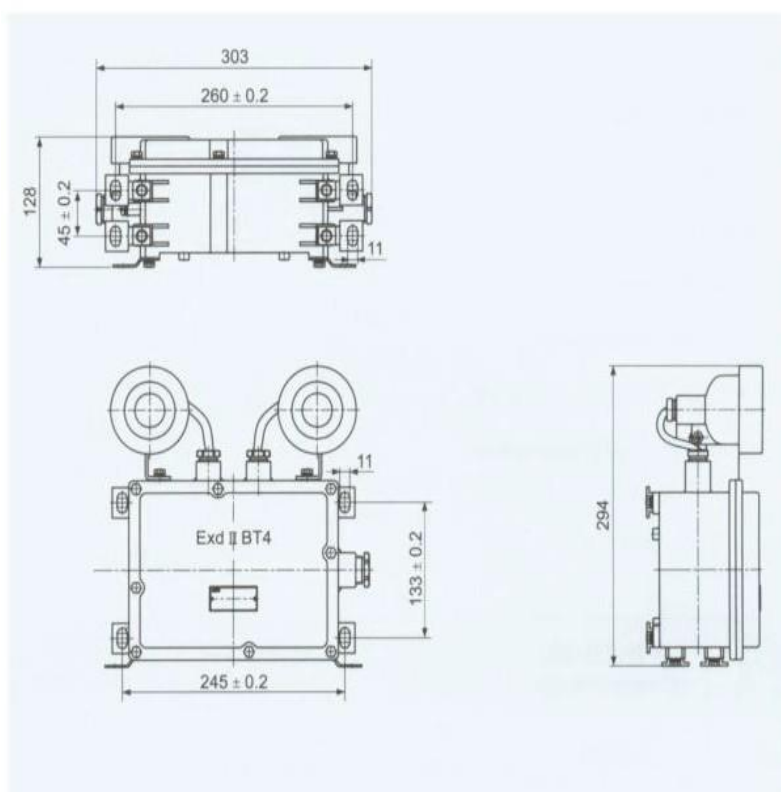


## Explosion proof Emergency Light

### Specifications

<b>Ex Marking</b>	Ex d IIC T6 Gb/ Ex tD A21 IP65 T80°C
<b>Classification</b>	Group II, Category 2 GD; Class I, Division 1 and 2, Group A,B,C,D
<b>Application</b>	Zone 1, 2 & Zone 21, 22
<b>IP Degree</b>	IP65
<b>Light source</b>	LED 2*4 W
<b>Light efficiency</b>	100-110lm/W
<b>Input Voltage</b>	220VAC, 50 Hz
<b>Work time</b>	>120 min
<b>Charging time</b>	24 hrs
<b>Mounting Styles</b>	Pendant; Ceiling; Wall Bracket; Stanchion

### Mechanical Data



<b>Degree of protection</b>	IP66
<b>Cable entry</b>	G 3/4" ; NPT3/4"
<b>Dimension[mm]</b>	303*294*128
<b>Weight [kg]</b>	6.25
<b>Terminal</b>	≤2.5 mm <sup>2</sup>
<b>Mounting Styles</b>	Ceiling; Wall Bracket; Pendant